

BC856T/BC857T/BC858T

Mechanical Data

Package
Terminals

Marking:

Maximum Ratings

Symbol	Parameter	Value	Unit
--------	-----------	-------	------



BC856T/BC857T/BC858T

Electrical Characteristics

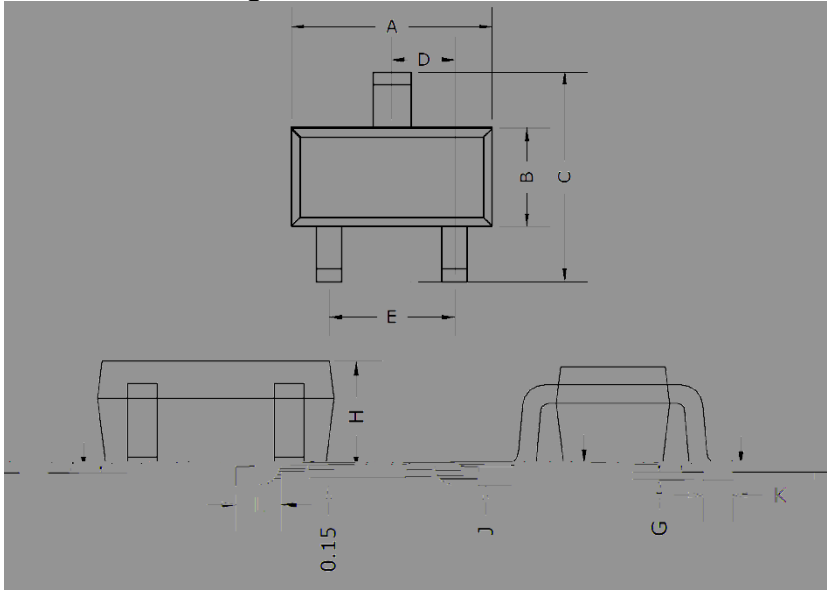
Parameter	Symbol	Test conditions	Min	Max	Unit
-----------	--------	-----------------	-----	-----	------

BC856T/BC857T/BC858T



BC856T/BC857T/BC858T

SOT-523 Package Outline Dimensions





Disclaimer